

February 14, 2017

**ADDENDUM No.03**, to Drawings and Specifications dated [February 14, 2017 for the Signature Manchester Customs TI, Commission No. 1620728](#), as prepared by SCHENKELSHULTZ, 200 East Robinson St Suite 300, Orlando, Florida, 32801.

This **ADDENDUM No.03** shall hereby be and become a part of the Contract Documents the same as if originally bound thereto.

The following clarifications, amendments, additions, revisions, changes and modifications change the original Contract Documents only in the amount and to the extent hereinafter specified and set forth in this **ADDENDUM No.03**

-----

**CHANGES TO BID DOCUMENTS**

**ITEM NO. 1.: SHORT FORM CONSTRUCTION AGREEMENT**

- A. Modify Exhibit B, with updated drawing and specification sections revision date.
- B. Incorporate Exhibit L with responses to pre-bid RFI questions, dated 02/14/2016.

**CHANGES TO DRAWINGS**

**ARCHITECTURAL**

**ITEM NO. 2.: DRAWING SHEET A501 – DOOR & WINDOW SCHEDULES, DETAILS**

- A. Add glazing type GL-5, for bullet resistant glazing at teller window per specified window and wall type rating.
- B. At Door Type Legend updated glazing type for N2 door.
- C. At Window Type Legend corrected glass type designations for Windows Type B1, B2, and C.
- D. At Storefront Legend, added glass type designations for all storefronts.

**End ADDENDUM No.03**

**ATTACHMENTS:**

**BID DOCUMENTS**

Exhibit B	CONTRACT DOCUMENT LIST	02/14/2017
Exhibit K	Responses to pre-bid RFI questions.	02/14/2017

**SPECIFICATIONS**

Section Number	Section Name	Revision	Revision Date
N/A			

**DRAWINGS**

Drawing Number	Description	Revision	Revision Date
A501	Door & Window Schedules, Details	3	02/14/2017

**EXHIBIT B – CONTRACT DOCUMENT LIST  
SIGNATURE FLIGHT SUPPORT CORPORATION  
U.S. Customs and Border Protection Facility  
Manchester, New Hampshire**

**CONTRACTOR NAME:**  
**STREET ADDRESS:**  
**CITY, STATE ZIP:**  
**PHONE:**

**CONTRACT DRAWINGS LIST**

<b>Sheet #</b>	<b>Title</b>	<b>Date</b>	<b>Rev #</b>	<b>Rev Date</b>
A000	Cover	01/20/2017		
A001	General Information & Abbreviations	01/20/2017	2	02/10/2017
A002	Partition Legends, Schedules & Details	01/20/2017	2	02/10/2017
A003	Partition Types	01/20/2017	2	02/10/2017
A100	Life Safety Plans	01/20/2017	1	02/01/2017
A101	Architectural And Demolition Plans	01/20/2017	2	02/10/2017
A121	Dimensioned Plans	01/20/2017	2	02/10/2017
A131	Equipment & Furniture Plan	01/20/2017	2	02/10/2017
A141	Reflected Ceiling Plans	01/20/2017	2	02/10/2017
A181	Finish Plan	01/20/2017	2	02/10/2017
A201	Exterior Elevations	01/20/2017	2	02/10/2017
A251	Interior Elevations	01/20/2017	2	02/10/2017
A252	Interior Elevations	01/20/2017		
A253	Interior Elevations	01/20/2017	2	02/10/2017
A401	Enlarged Toilet Room Plans	01/20/2017		
A402	Toilet Room Interior Elevations	01/20/2017		
A501	Door & Window Schedules, Details	01/20/2017	2	02/10/2017
A502	Door & Window Details	01/20/2017	3	02/14/2017
A503	Door & Window Details	01/20/2017	2	02/10/2017
A550	Millwork Details	01/20/2017	2	02/10/2017
A560	Interior Details	01/20/2017		
A801	Signage Plan	01/20/2017	2	02/10/2017
A802	Signage Details	01/20/2017	2	02/10/2017
M0.1	Mechanical Specifications And Schedules	01/20/2017	2	02/10/2017
M1.1	Mechanical Plan And Mechanical Demo Plan First & Third Levels	01/20/2017	2	02/10/2017
P0.1	Plumbing Specifications And Schedules	01/20/2017	2	02/10/2017
P1.1	Plumbing Plan And Plumbing Demo Plan First & Third Levels	01/20/2017	2	02/10/2017
E001	Electrical Specification and Legends	01/20/2017	1	02/01/2017
E101	Electrical Demolition and New Power Floor plans	01/20/2017	2	02/10/2017
E102	Electrical Systems Floor Plans		2	02/10/2017
E201	Electrical Lighting Floor Plans	01/20/2017	2	02/10/2017
E301	Electrical One-Line Diagram and Schedules	01/20/2017	1	02/01/2017

**End of Contract Drawing List**

**EXHIBIT B – CONTRACT DOCUMENT LIST  
SIGNATURE FLIGHT SUPPORT CORPORATION  
U.S. Customs and Border Protection Facility  
Manchester, New Hampshire**

**CONTRACTOR NAME:**  
**STREET ADDRESS:**  
**CITY, STATE ZIP:**  
**PHONE:**

---

**SPECIFICIATIONS LIST**

<b>Division #</b>	<b>Title</b>	<b>Date</b>	<b>Rev #</b>	<b>Rev Date</b>
	<b>General Requirements Subgroup</b>			
	<b><u>DIVISION 1: GENERAL REQUIREMENTS</u></b>			
00 00 00	Title Page		2	02/10/2017
00 00 00	Table of content		2	02/10/2017
01 11 00	Summary of Work	01/20/2017		
01 11 13	Contract Considerations	01/20/2017		
01 14 00	Work Restrictions	01/20/2017		
01 23 00	Alternates	01/20/2017		
01 26 13	Requests For Information (Rfi) Procedures	01/20/2017		
01 26 15	Payment Procedures	01/20/2017		
01 31 13	Project Coordination	01/20/2017		
01 31 19	Project Meetings	01/20/2017		
01 31 23	Preconstruction Project Meeting	01/20/2017		
01 33 00	Submittal Procedures	01/20/2017		
01 33 10	Contract Submittals	01/20/2017		
01 33 15	Construction Schedule	01/20/2017		
01 42 19	Reference	01/20/2017		
01 45 00	Quality Control and Testing Laboratory Services	01/20/2017		
01 50 00	Temporary Construction Facilities	01/20/2017		
01 56 00	Temporary Protection	01/20/2017		
01 60 00	Products, Materials and Equipment	01/20/2017		
01 60 10	Product Substitutions and Options, Substitution Request Form	01/20/2017		
01 60 15	Product Handling and Protection	01/20/2017		
01 60 50	Execution Requiements	01/20/2017		
01 60 60	Examination	01/20/2017		
01 70 00	Closeout Procedures	01/20/2017		
01 70 07	Subcontractor Warrenty Form	01/20/2017		
01 70 13	Project Record Documents	01/20/2017		
01 70 23	Operation and Maintenance Data	01/20/2017		
01 73 29	Cutting and Patching	01/20/2017		
01 74 10	Waste Mangement Definitions	01/20/2017		
01 74 13	Construction Cleaning	01/20/2017		
01 74 19	Construction Waste Management and Disposal	01/20/2017		
01 78 33	Warrenties and Bonds	01/20/2017		
	<b><u>DIVISION 2: EXISTING CONDITIONS</u></b>			
02 41 19	SELECTIVE DEMOLITION	01/20/2017		
	<b><u>DIVISION 3: CONCRETE</u></b>			

**EXHIBIT B – CONTRACT DOCUMENT LIST  
SIGNATURE FLIGHT SUPPORT CORPORATION  
U.S. Customs and Border Protection Facility  
Manchester, New Hampshire**

**CONTRACTOR NAME:**  
**STREET ADDRESS:**  
**CITY, STATE ZIP:**  
**PHONE:**

03 30 53	Miscellaneous Cast-In-Place Concrete	01/20/2017		
		<b>Date</b>	<b>Rev #</b>	<b>Rev Date</b>
	<b><u>DIVISION 4: (NOT USED)</u></b>			
	<b><u>DIVISION 05: METALS</u></b>			
05 50 00	Metal Fabrications	01/20/2017		
	<b><u>DIVISION 06: WOOD, PLASTICS AND COMPOSITES</u></b>			
06 10 53	Miscellaneous Rough Carpentry	01/20/2017		
06 41 16	Plastic-Laminate-Faced Architectural Cabinets	01/20/2017		
	<b><u>DIVISION 07: THERMAL AND MOISTURE PROTECTION</u></b>			
<del>07 13 26</del>	<del>Self-Adhering Sheet Membrane Waterproofing</del>	<del>01/20/2017</del>	2	02/10/2017
<del>07 21 00</del>	<del>Building Insulation</del>	<del>01/20/2017</del>	2	02/10/2017
<del>07 42 13</del>	<del>Metal Composite Material Panels</del>	<del>01/20/2017</del>	2	02/10/2017
07 62 00	Sheet Metal Flashing And Trim	01/20/2017		
07 84 13	Penetration Firestopping	01/20/2017		
07 92 00	Sealants and Caulking	01/20/2017		
	<b><u>DIVISION 08: DOORS AND WINDOWS</u></b>			
08 11 13	Hollow Metal Doors And Frames	01/20/2017	2	02/10/2017
08 14 16	Flush Wood Doors	01/20/2017		
08 31 13	Access Doors And Frames	01/20/2017		
08 31 13.53	Security Access Door And Frames	02/10/2017	2	
08 34 63	Detention Doors And Frames	01/20/2017		
08 41 13	Aluminum-Framed Entrances And Storefronts	01/20/2017	2	02/10/2017
08 56 59	Service And Teller Window Units	01/20/2017		
08 71 00	Door Hardware	01/20/2017		
08 81 00	Glazing	01/20/2017		
08 88 53	Security Glazing	01/20/2017		
	<b><u>DIVISION 09: FINISHES</u></b>			
09 22 16	Non-Structural Metal Framing	01/20/2017		
09 29 00	Gypsum Board	01/20/2017		
09 30 13	Ceramic Tiling	01/20/2017		
09 51 13	Acoustical Panel Ceilings	01/20/2017		
09 57 53	Security Ceiling Assemblies	01/20/2017		
09 65 13	Resilient Base And Accessories	01/20/2017		
09 65 19	Resilient Tile Flooring	01/20/2017		

Signature Flight Support  
U.S. Customs and Border Protection Facility  
Exhibit B – Contract Document List May 2012  
Page 3 of 5

Contractor Initials \_\_\_\_\_  
Owner Initials \_\_\_\_\_

**EXHIBIT B – CONTRACT DOCUMENT LIST  
SIGNATURE FLIGHT SUPPORT CORPORATION  
U.S. Customs and Border Protection Facility  
Manchester, New Hampshire**

**CONTRACTOR NAME:**  
**STREET ADDRESS:**  
**CITY, STATE ZIP:**  
**PHONE:**

09 68 13	Tile Carpeting	01/20/2017		
09 67 00	Epoxy Floor Coating	02/10/2017	2	
09 91 23	Interior Painting	01/20/2017		
<b>Division #</b>	<b>Title</b>	<b>Date</b>	<b>Rev #</b>	<b>Rev Date</b>
	<b><u>DIVISION 10: SPECIALTIES</u></b>			
10 14 00	Identifying Devices	01/20/2017		
10 14 16	Plaques	01/20/2017		
10 14 19	Dimensional Letter Signage	01/20/2017		
10 28 00	Toilet Accessories	01/20/2017		
10 44 00	Fire Protection Specialties	01/20/2017		
10 55 15	Metal Security Lockers	02/10/2017	2	
10 56 13	Metal Storage Shelving	01/20/2017		
	<b><u>DIVISION 11: EQUIPMENT</u></b>			
11 94 13	Miscellaneous Equipment	01/20/2017		
	<b><u>DIVISION 12: FURNISHINGS</u></b>			
12 24 13	Roller Window Shades	02/10/2017	2	
12 36 61	Solid Surface Countertops	01/20/2017		
12 48 13	Entrance Floor Mats	01/20/2017		
12 55 00	Detention And Stainless Steel Furniture	01/20/2017	2	02/10/2017
12 60 00	Multiple Seating	01/20/2017		
12 94 13	Miscellaneous Furnishings	01/20/2017		
	<b><u>DIVISIONS 13 – 21:</u></b>			
13 47 15	Bullet Resistant Panels	02/10/2017	2	
	<b><u>DIVISION 22: PLUMBING - As Indicated on the Drawings</u></b>			
	<b><u>DIVISIONS 23: HEATING, VENTILATING AND AIR CONDITIONING - As Indicated on the Drawings</u></b>			
	<b><u>DIVISIONS 24 and 25: (NOT USED)</u></b>			
	<b><u>DIVISION 26: ELECTRICAL - As Indicated on the Drawings</u></b>			
	<b><u>DIVISION 27: COMMUNICATIONS - As Indicated on the Drawings</u></b>			
	<b><u>DIVISION 28: ELECTRONIC SAFETY AND SECURITY - As Indicated on the Drawings</u></b>			

**EXHIBIT B – CONTRACT DOCUMENT LIST**  
**SIGNATURE FLIGHT SUPPORT CORPORATION**  
**U.S. Customs and Border Protection Facility**  
**Manchester, New Hampshire**

**CONTRACTOR NAME:**  
**STREET ADDRESS:**  
**CITY, STATE ZIP:**  
**PHONE:**

---

	<b>DIVISION 30: (NOT USED)</b>			
	<b>DIVISION 31: EARTHWORK (NOT USED)</b>			

**End of Specification List**

**M E M O R A N D U M**

**DATE:** February 14, 2017  
**TO:** Scott Tarr  
KMI International  
7233 Lake Ellenor Drive, Suite 100  
Orlando, FL 32809  
**FROM:** Lilian Sherrard  
**RE:** Signature Manchester – CBP TI – Bid RFI responses  
**COMM. NO.** 1620728

Below are responses to the pre-bid RFIs received by 2/14/2017.

**BID RFI NO. 6**

Dated: 02/10/2017

1. Ref. Section 055000.2.7.B; Is Security Mesh to be primed or un-primed steel?

**Response:**

Expanded metal at security walls can be un-primed steel.

2. The glazing specification & storefront specification lists the insulated glass at SF-1 & door 101a to match existing. It appears that the existing storefront frames have tinted glazing. Can a glass make-up be provided?

**Response:**

Provide insulated glass to with a tint to match existing exterior. Provide sample per specifications to Architect to verify color matches existing.

3. Note 08 12 01 on the floor plan (A101) reads that glazing in hollow metal frames is to be 1 way mirror. The window schedule does not show B1 & B2 windows having one way mirror. Can you please clarify if type B1 & B2 windows are to be one way mirror?

**Response:**

Window type B1 & B2 should be glazing type 2, refer to Addendum 3 for corrections.

4. What is Glazing type for SF-3?

**Response:**

Storefront 3 is supposed to be glazing type GL-1, refer to Addendum 3 for glazing clarifications.

# DOOR SCHEDULE

MARK	DOOR						GLAZING TYPE	HARDWARE	FRAME			DETAILS			FIRE RATING	COMMENTS
	TYPE	WIDTH	HEIGHT	THICK.	MATERIAL				MATERIAL	TYPE	HEAD	JAMB	SILL			
101A	SF1	3'-6"	7'-0"	1 3/4"	Alum		GL4	1	Alum	3	2/A503	3/A503	1/A503		1	
101B	SF2	3'-6"	7'-0"	1 3/4"	Alum		GL1	7	Alum	3	8/A502	9/A502	6/A502			
104	F	3'-0"	7'-0"	1 3/4"	WD			3	HM	1	1/A501	1/A501	6/A181		1, 9	
105	F	3'-0"	7'-0"	1 3/4"	WD			3	HM	1	3/A501	4/A501	5/A181		1, 9	
106	F	3'-0"	7'-0"	1 3/4"	HM			2	HM	1	3/A501	4/A501	6/A181		1, 4, 8	
107	F	3'-0"	7'-0"	1 3/4"	WD			2	HM	1	1/A501	1/A501	3/A181		9	
M 109	F	3'-0"	7'-0"	1 3/4"	WD		GL1 @ SIDELIGHT	5	HM	2	3/A501	4/A501	5/A181		1, 2, 10	
110	F	3'-0"	7'-0"	1 3/4"	WD			3	HM	1	3/A501	4/A501	5/A181		1, 10	
111	F	3'-0"	7'-0"	1 3/4"	HM			4	HM	1	3/A501	4/A501	4/A181		1, 2	
112	N2	3'-0"	7'-0"	1 3/4"	HM		GL3	8	HM	1	3/A501	4/A501	4/A181		1, 2, 3	
113	F	3'-0"	7'-0"	1 3/4"	WD			3	HM	1	3/A501	4/A501	5/A181		1, 9	
302	F	3'-0"	7'-0"	1 3/4"	WD			6	HM	1	1/A501	1/A501			7	
E124	F	3'-0"	7'-0"	1 3/4"	WD			10	HM	1	1/A501	1/A501			6, 10	
E301	F*	3'-0"	7'-0"	1 3/4"	WD			9	HM	1	1/A501	1/A501			1, 5	

## DOOR SCHEDULE COMMENTS

1. SECURED, REFER TO DOOR HARDWARE AND ELECTRICAL PLANS FOR SECURED ACCESS HARDWARE, ELECTRICAL AND SYSTEM INFORMATION.
2. 180 DEGREE SWING
3. 12 GA STEEL CLAD PENAL GRADE DOOR AND FRAME
4. MATCH EXISTING WALL RATING
5. UPGRADE EXISTING HARDWARE TO SECURED DOOR
6. NEW DOOR ON EXISTING TENANT SPACE
7. PROVIDE TRANSITION STRIP REDUCER FROM CERAMIC TILE TO VCT
8. BULLET PROOF DOOR & FRAME, TO MEET LEVEL 3, UL 752 RATING
9. STAINED GRADE DOOR, STAIN TO MATCH EXISTING SHELL STAIN COLOR AND FINISH.
10. OPAQUE GRADE DOORS, W/ SEMI GLOSS FINISH. COLOR TO MATCH PT-1.

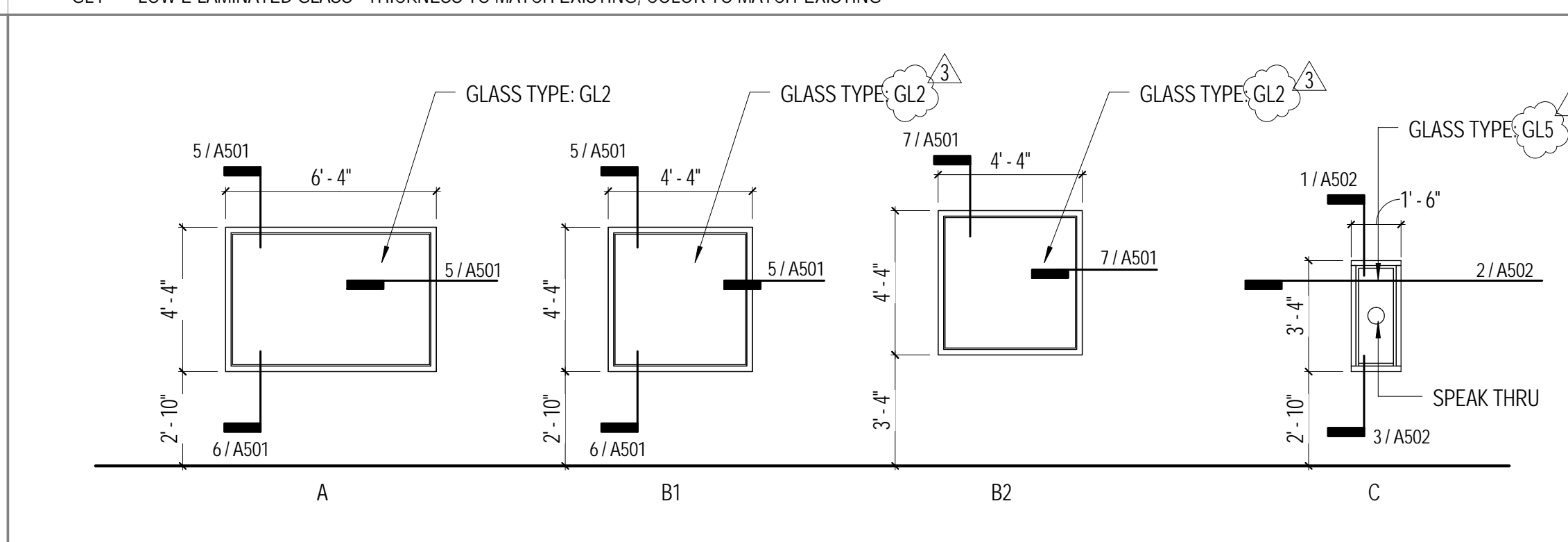
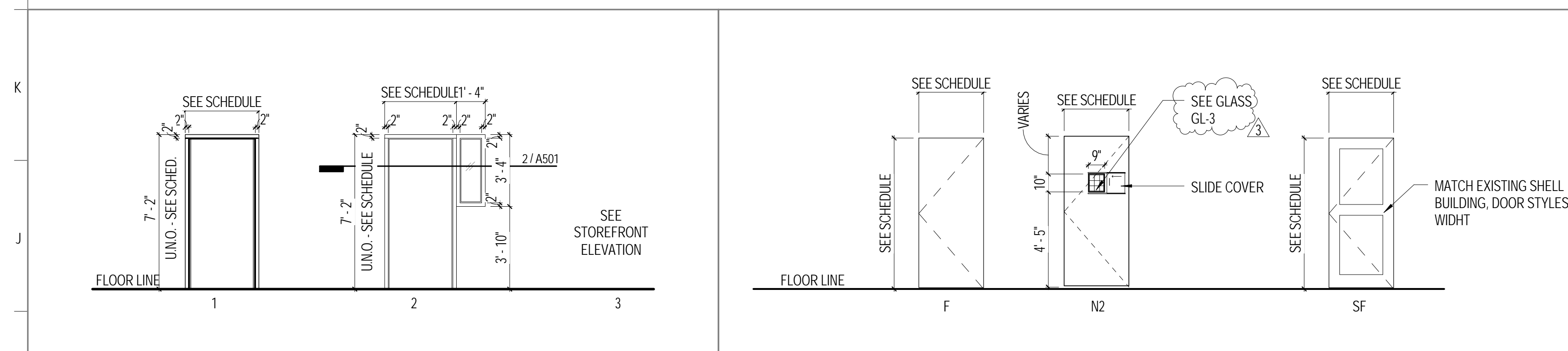
## DOOR & WINDOW GLAZING NOTES

1. ALL EXTERIOR GLAZING AND WINDOW SYSTEM SHALL MATCH SAME GLAZING AS EXISTING WINDOWS.
2. ALL INTERIOR GLAZING SHALL BE TEMPERED AND CLEARED U.N.O.
3. ONE WAY VIEW GLAZING SHALL BE INSTALLED WITH VISIBILITY TOWARDS PASSENGER WAITING AREAS.

## GLASS SCHEDULE

- GL1 - 1/4" TEMPERED GLASS - CLEAR
- GL2 - 1/4" TEMPERED GLASS - ONE WAY (MIRROR)
- GL3 - DOOR MUST HAVE A 96 SQ. IN. SG-3 TYPE FORCED ENTRY RESISTANT WINDOW MEETING WMFL LEVEL 11, 60 MINUTES (OR ASTM F1915 GRADE 1). WINDOW SHALL BE LAMINATED FLOAT GLASS AND POLYCARBONATE SHEET (GLASS ON BOTH OUTER SURFACES/GLASS-CLAD POLYCARBONATE) WITH A MINIMUM THICKNESS OF 1". WINDOW SHALL BE BARRED WITH STEEL BARS (WELDED TO GLASS FRAME) AT 4" OC BOTH DIRECTIONS - DOOR MUST HAVE SLIDING COVER/PANEL AT WINDOW OPENING.
- GL4 - LOW E-LAMINATED GLASS - THICKNESS TO MATCH EXISTING, COLOR TO MATCH EXISTING

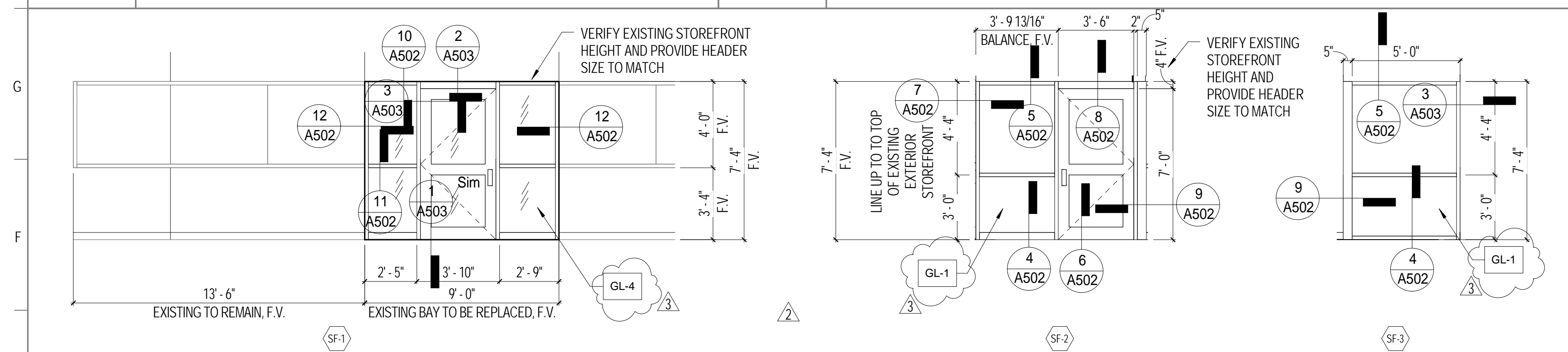
GL5 - BULLET PROOF GLAZING, LEVEL 3, UL 752



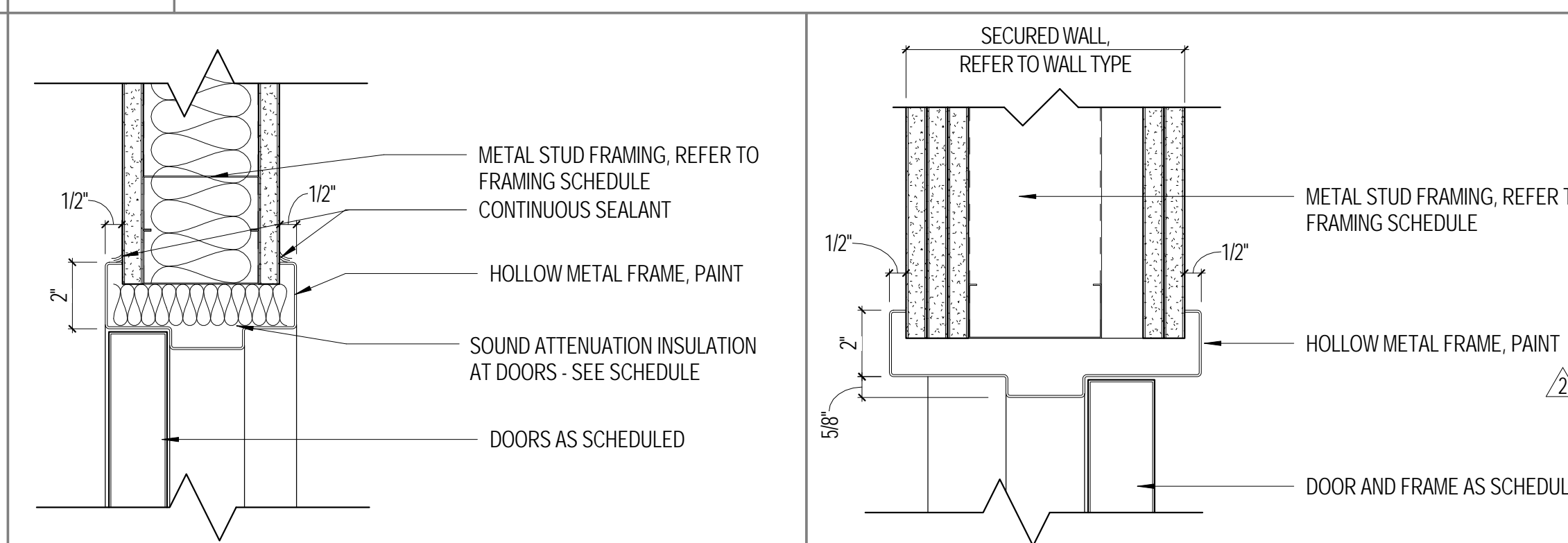
**A FRAME TYPES**  
1/4" = 1'-0"

**B DOOR TYPES**  
1/4" = 1'-0"

**C WINDOW TYPES**  
1/4" = 1'-0"

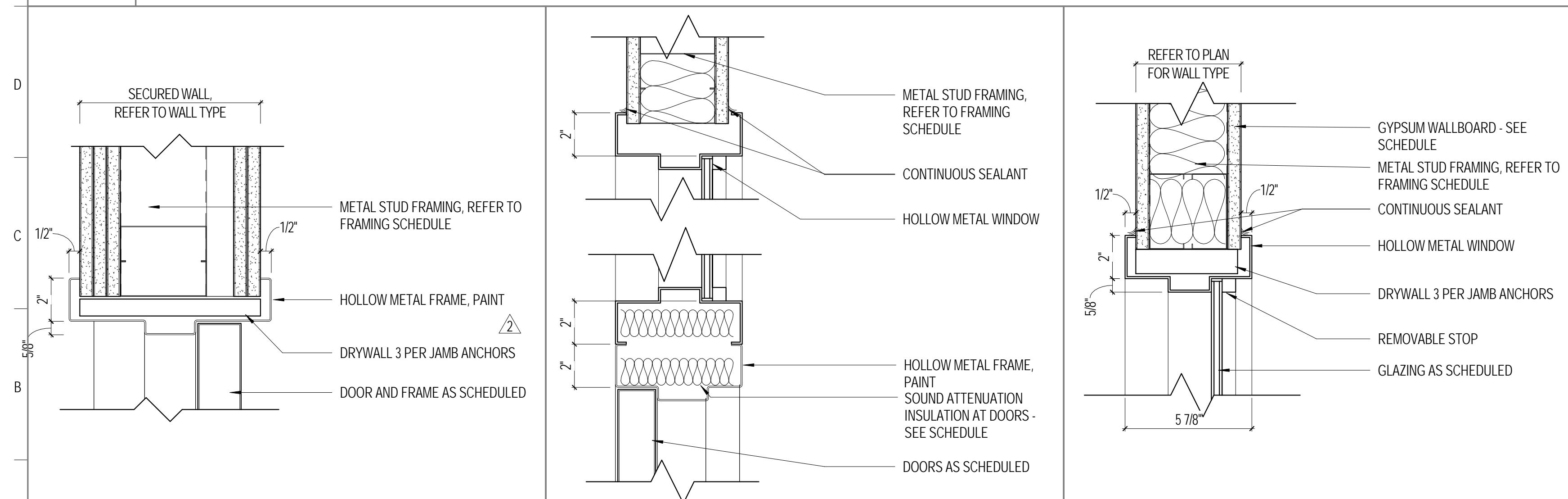


**D STOREFRONTS**  
1/4" = 1'-0"



**1 HOLLOW METAL DOOR HEAD/JAMB GWB(INT-M)**  
3" = 1'-0"

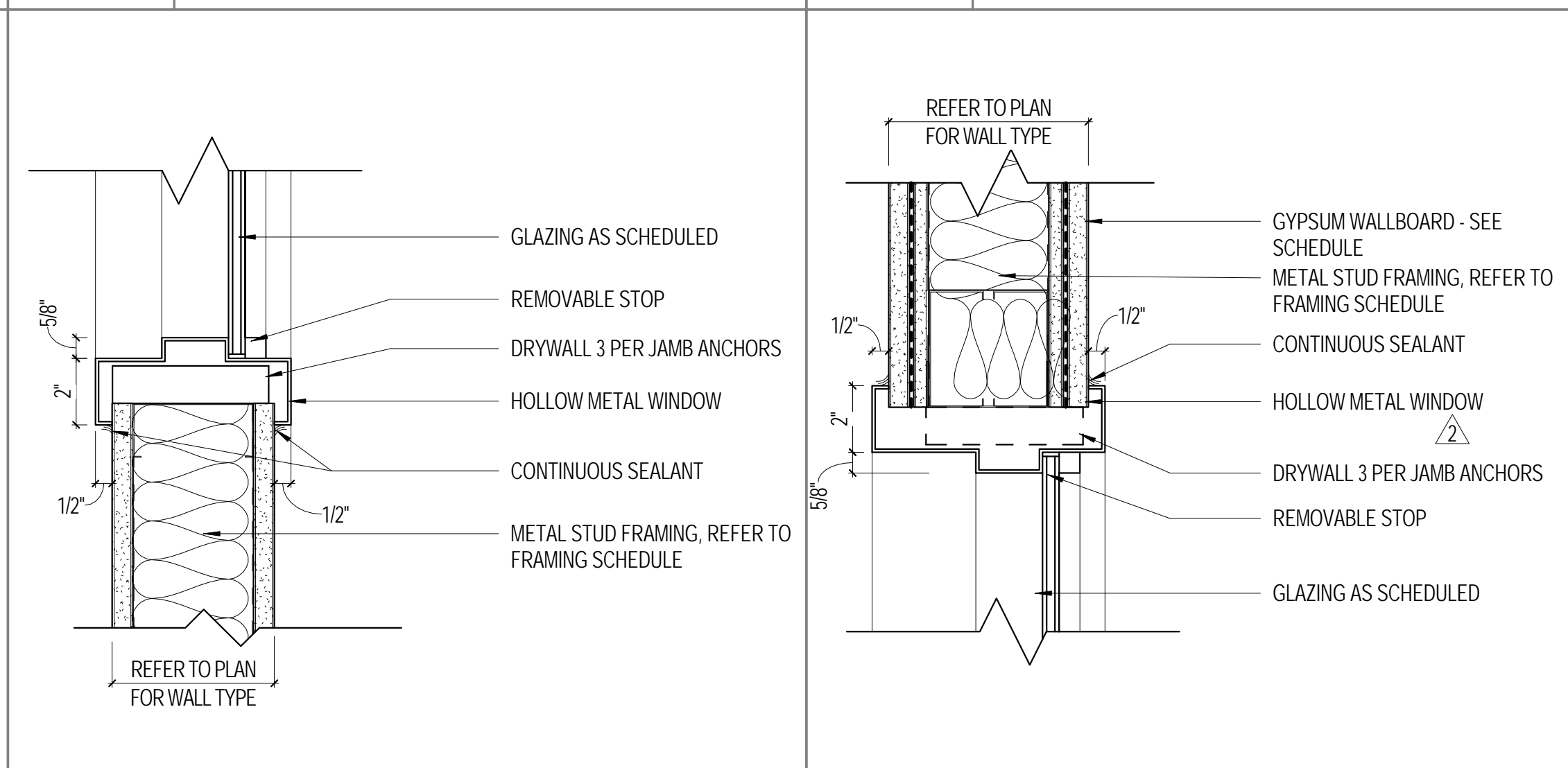
**3 HOLLOW METAL DOOR HEAD GWB SPECIAL (INT-M)**  
3" = 1'-0"



**4 HOLLOW METAL DOOR JAMB GWB SPECIAL (INT-M)**  
3" = 1'-0"

**2 HOLLOW METAL DOOR HEAD/JAMB GWB(INT-M)**  
3" = 1'-0"

**5 HOLLOW METAL WINDOW HEAD/JAMB GWB(INT-M)**  
3" = 1'-0"

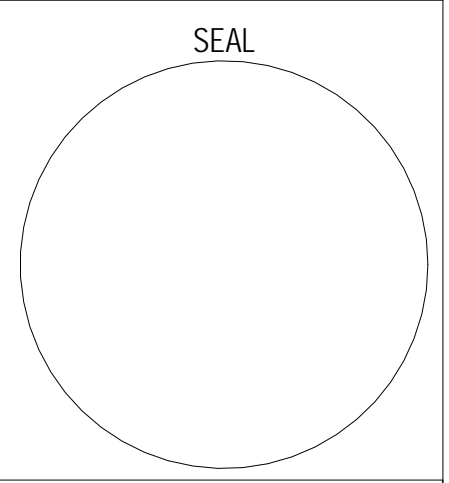


**6 HOLLOW METAL WINDOW SILL GWB(INT-M)**  
3" = 1'-0"

**7 HOLLOW METAL WINDOW HEAD/JAMB GWB(INT-M)**  
3" = 1'-0"

**SCHENKEL SHULTZ**  
ARCHITECTURE

voice 407-872-3322  
fax 407-872-3303  
schenkelshultz.com  
SS Lic. No. -AA-C000937  
CONFIDENTIAL COPYRIGHT 2016 SCHENKEL & SHULTZ, INC.  
SEE WWW.SCHENKELSHULTZ.COM FOR POLICY AND INFORMATION



MARK	DESCRIPTION	DATE
1	ADDENDUM 2	02-10-2017
2	ADDENDUM 3	02-14-2017

**SIGNATURE MANCHESTER CUSTOMS TI**

MANCHESTER AIRPORT, MANCHESTER, NH

*Signature*  
**FLIGHT SUPPORT**  
A BBA Aviation company

ISSUE DATE: 01/20/2017  
COMM. NO.: 1620728  
DRAWN BY: LMS CHECKED BY: Checker

**DOOR & WINDOW SCHEDULES, DETAILS**

**A501**

100% SUBMITTAL